



# WALL PANEL SCAFFOLD BRACKET

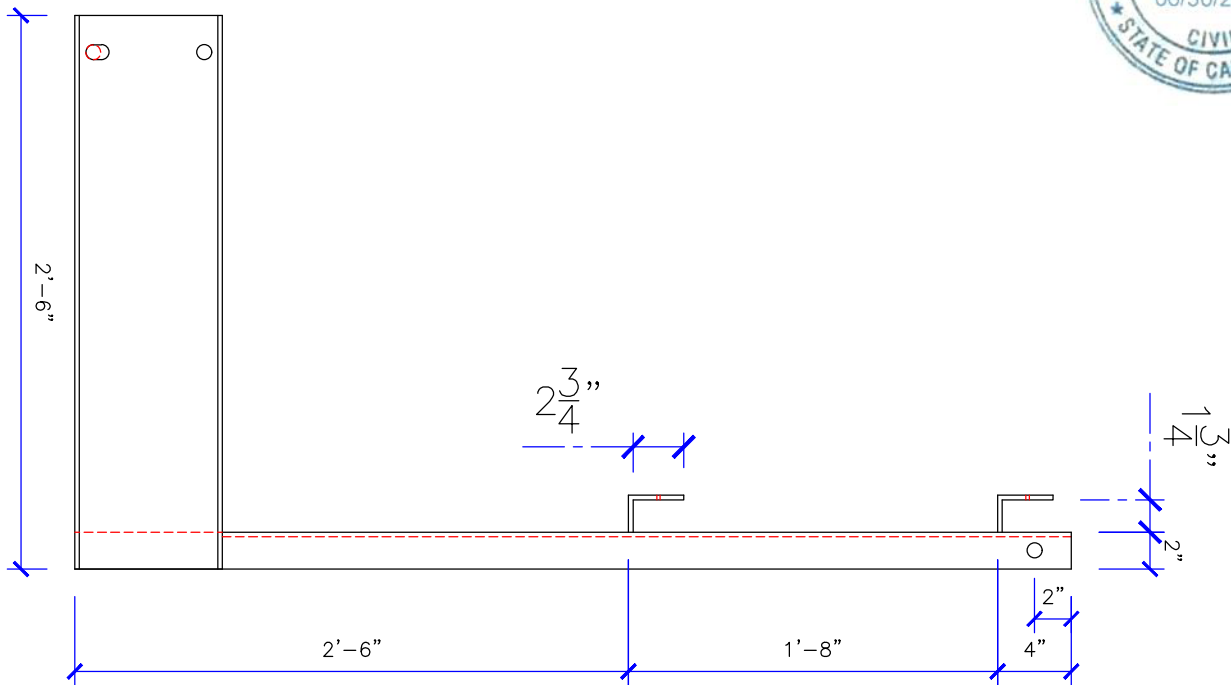
## LOAD TESTING DATA

### PROCEDURE:

The Wall Panel Scaffold Bracket was mounted to a 4" x 4" wood beam which was connected to the testing frame for stability purpose. Two different loads, vertical and horizontal, were applied. The vertical download was applied using a calibrated hydraulic ram and the fork of a forklift was used for reaction load. The ram was placed above the Wall Panel Scaffold Bracket and under the forklift fork. A load of 200 pounds was applied using a come along, scale, and a chain. One end of the come along was connected to the Wall Panel Scaffold Bracket using scale and chain. The other end of the come along was connected to the testing frame. A load of 200 pounds was applied to determine if the Wall Panel Scaffold Bracket will move.

### TESTING RESULT:

No movement was observed during and after the 200 pounds load application.



WALL PANEL SCAFFOLD BRACKET LOAD TEST SUMMARY		
LOAD APPLIED (LBS.)	LOAD TEST	MOVEMENT (IN.)
200LBS.	VERTICAL - RAM & GAUGE	0.000
200LBS.	HORIZONTAL - COME ALONG & SCALE	0.000

