



SINGLE WALER FORMING

TECHNICAL DATA SHEET

FORM PLY HOLE SPACING:

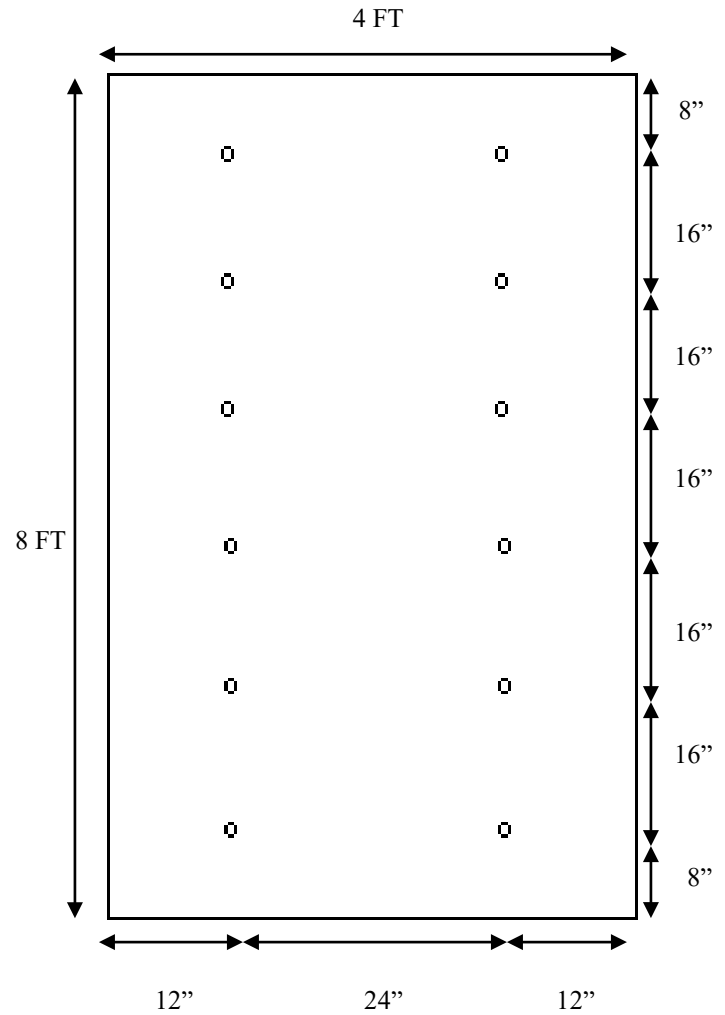
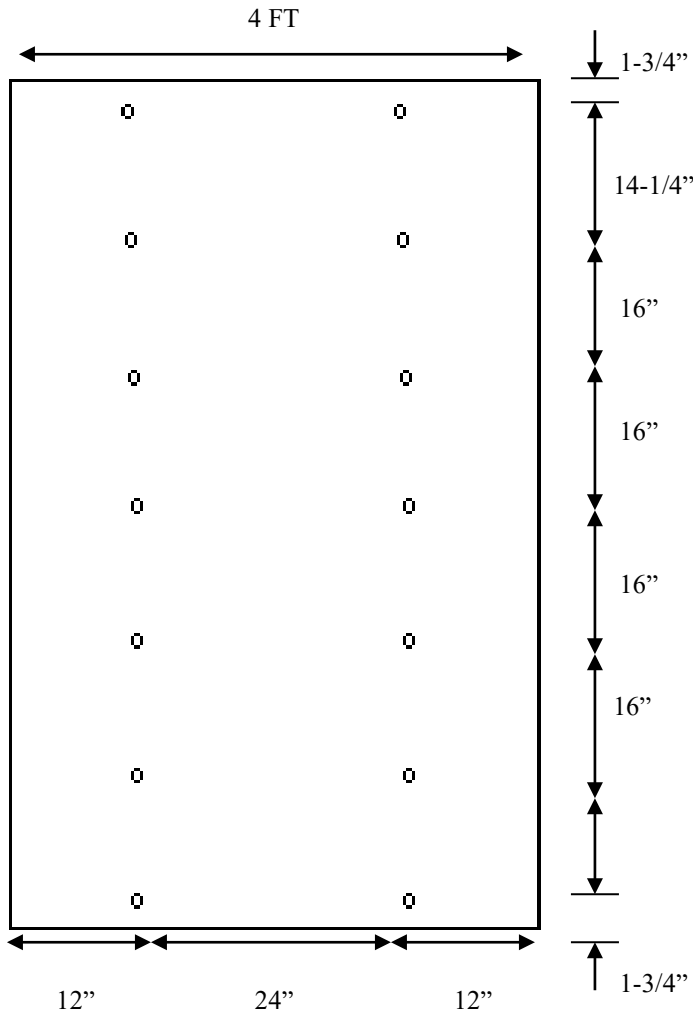


DIAGRAM #1: This spacing should be used when the top waler will be used to start another tier of panels. This spacing can also be used when a 2X4 starter plate is attached to the footing, and the Don Brackets are used upside down.

DIAGRAM #2: This pattern does not require a 2X4 starter plate; it also minimizes the number of Snap Ties used.

HOLE DRILL SIZE :	9/16"
POUR RATE:	4ft / hour
CONCRETE TEMPERATURE :	70°F
PLYWOOD:	3/4" thick, wood grain must be perpendicular to waler

These spacing patterns are recommended for the pour rater conditions provided, using 3M Snap Ties. Engineering is recommended for varying conditions, which may differ from standard applications. Concrete form pressures are governed by pour height, rather than wall thickness. Therefore, pouring concrete too quickly can result in form failure.





SINGLE WALER FORMING

TECHNICAL DATA SHEET

DESCRIPTION:

Standard and High Strength Snapties are made from high tensile wires; which have integral heads formed on each end, and are used in concrete wall forming. Form spreading cones or washers are included, which spread the form panels to the exact concrete thickness.

APPLICATION:

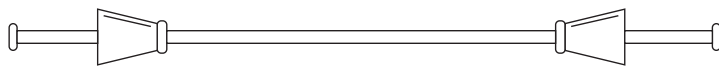
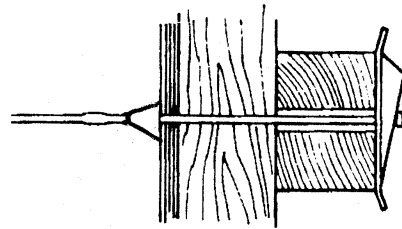
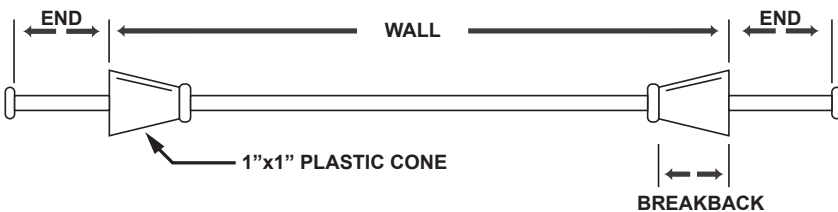
Snapties are used in single and double waler poured-in-place concrete forming applications. They accommodate any wall thickness, as well as many forming lumber types. This forming method is used for retaining standard walls, batter walls, bridges, concrete signs, footing, etc. They are held in place by a Snaptie Wedge, A-Bracket, or Strongback Bracket.

STD SNAPTIE LOAD:

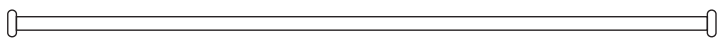
2,250 LBS. APPROX. SAFE WORKING LOAD

HS SNAPTIE LOAD:

3,250 LBS. APPROX. SAFE WORKING LOAD



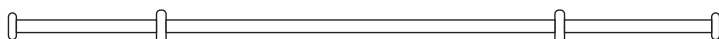
COMBINATION SNAPTIE



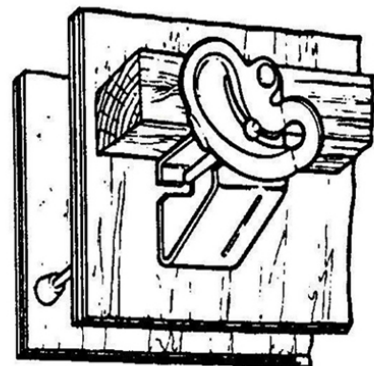
SLICK SNAPTIE (TIP-TO-TIP)



NEOPRENE WATERSEAL SNAPTIE



NO CONE SNAPTIE



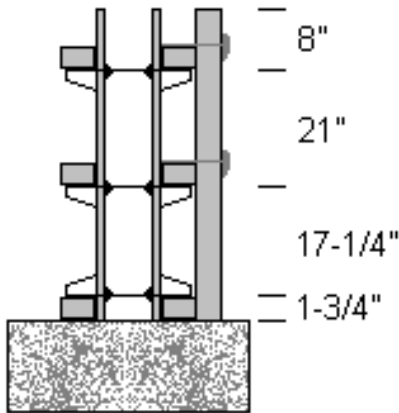


SINGLE WALER FORMING

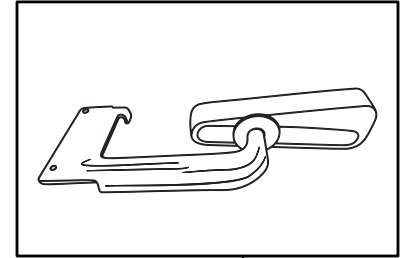
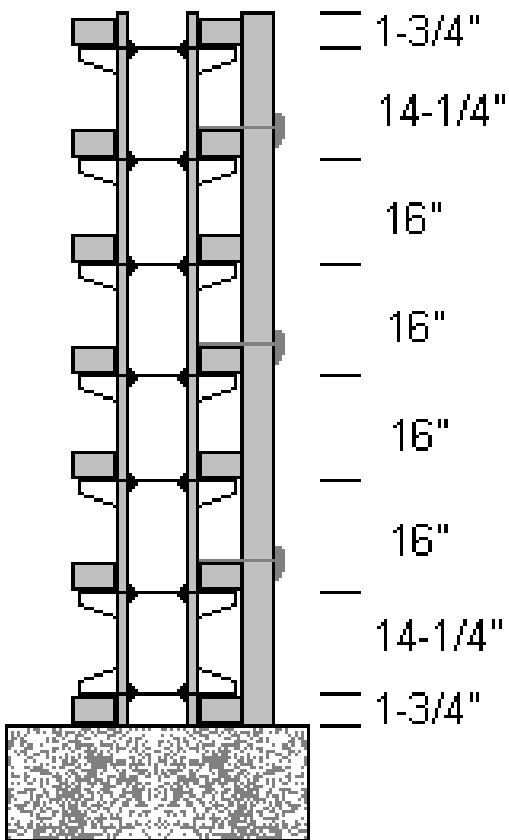
TECHNICAL DATA SHEET

STANDARD WALL FORMING:

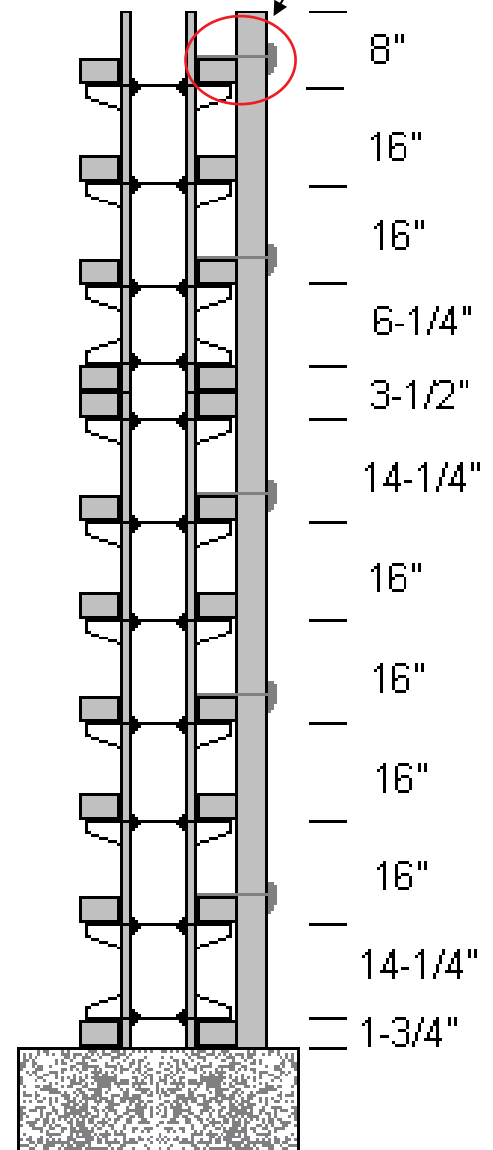
4 FT. WALL:



8 FT. WALL:



12 FT. WALL:





SINGLE WALER FORMING

TECHNICAL DATA SHEET

FORMING ACCESSORIES:

