



SINGLE LIFTING PLATE

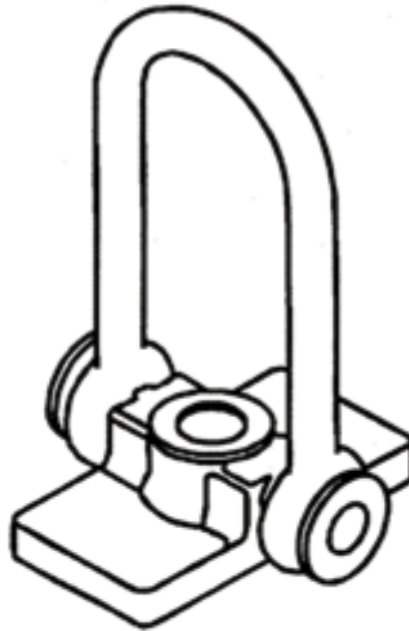
TECHNICAL DATA SHEET

DESCRIPTION:

Single Lifting Plates are made from forged steel.

APPLICATION:

Designed for use with single pick-up inserts. Can be used for face lifting or edge lifting.



BOLT SIZE	MINIMUM BOLT LENGTH	S.W.L.
3/4"	4"	10,000 LBS.
1"	5"	10,000 LBS.

SAFE WORKING LOAD IS APPROX. BASED ON A 5:1 SAFETY FACTOR

