



J-BOLTS

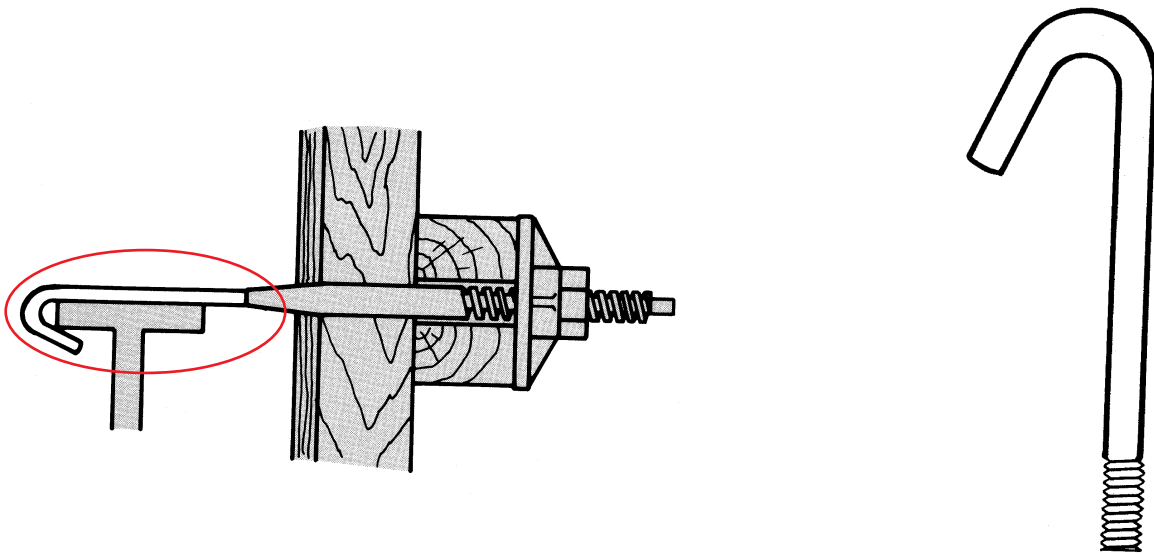
TECHNICAL DATA SHEET

DESCRIPTION:

J-Bolts are threaded, bent steel rods, that are used in blind wall concrete forming. They are stocked in 1/2" diameter N.C. and Coil thread, and can be special ordered in 3/4" diameter, in N.C. or Coil thread. Special lengths and openings are available upon request.

APPLICATION:

J-Bolts are used with She-Bolts in concrete forming applications. The standard hook wraps around the rebar or other steel, to allow for blind wall forming.



**UMBEDEDDED LOAD = 800 LBS.
APPROX. SAFETY FACTOR: 2:1**

