



EURO WING NUT

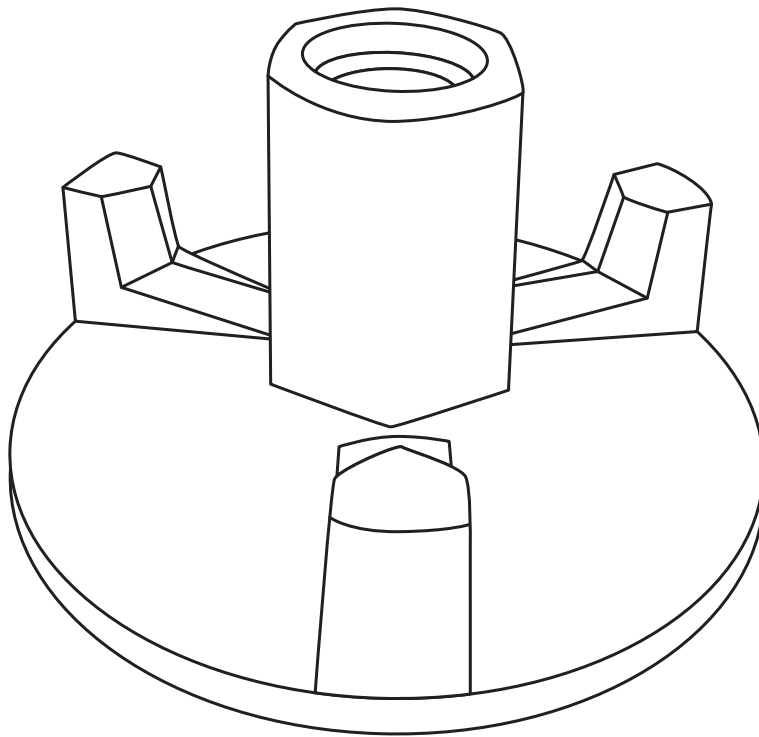
EURO WING NUT WITH PLATE — TECHNICAL DATA SHEET

DESCRIPTION:

A Euro Rod Wing Nut with Plate is similar to the standard Euro Rod Wing Nut, but is equipped with a circular plate to evenly apply loads.

APPLICATION:

Euro Rod Wing Nut with Plate is used with Euro Rod threaded accessories such as Euro Threaded Taper Ties, Euro Threaded She-Bolts, or Euro Threaded Rods. This wing nut combines the uses of a washer and wing nut in one application.



PRODUCT CODE	SIZE	DIAMETER	WEIGHT	S.W.L.
EWN58P	5/8" (15mm)	3-7/8"	1.50 LBS.	21,900 LBS.
EWN78P	7/8" (20mm)	3-7/8"	2.50 LBS.	32,200 LBS.
SAFE WORKING LOAD IS APPROX. BASED ON A 2:1 SAFETY FACTOR				

