



EURO WING NUT

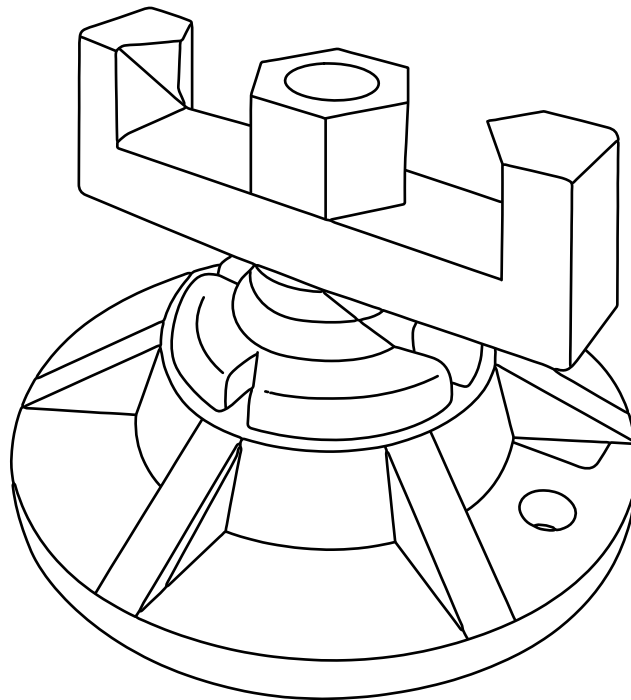
EURO SWIVEL WING NUT — TECHNICAL DATA SHEET

DESCRIPTION:

Euro Rod Swivel Wing Nut is similar to the standard Euro Rod Wing Nut, but is equipped with a swivel base to reduce the number of loose working parts.

APPLICATION:

Euro Rod Swivel Wing Nuts are used with Euro-threaded accessories such as Euro-threaded Taper Ties, Euro-threaded She-Bolts, or Euro-threaded Rods.



PRODUCT CODE	SIZE	WEIGHT / FOOT	APPROX. S.W.L.
EWN58S	5/8"	2.1 LBS / FT.	21,900
EWN78S	7/8"	3.4 LBS. / FT.	32,500

