



COIL WING NUTS

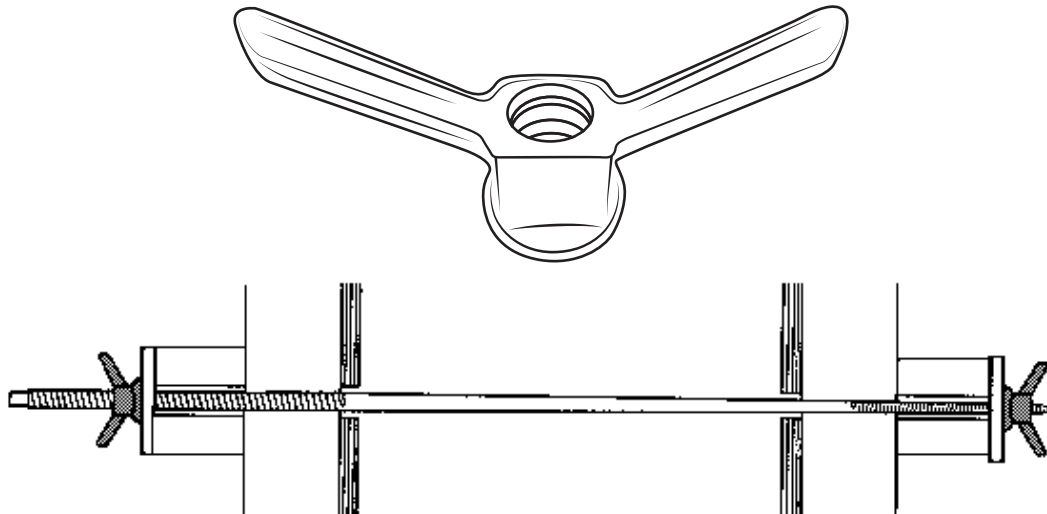
TECHNICAL DATA SHEET

DESCRIPTION:

Ductile Wing Nuts, available in 1/2", 3/4", 1", 1-1/4", and 1-1/2" diameter coil thread.

APPLICATION:

Used with Coil She-Bolts and Coil Taper Ties, in heavy concrete forming applications.



PRODUCT CODE	SIZE	WEIGHT (LBS.)
WIN012	1/2"	0.65 LBS. EACH
WIN034	3/4"	0.90 LBS. EACH
WIN100	1"	1.07 LBS. EACH
WIN114	1-1/4"	1.22 LBS. EACH
WIN112	1-1/2"	2.85 LBS. EACH

DIAMETER	1/2"	3/4"	1"	1-1/4"	1-1/2"
S.W.L. TENSION (LBS.)	9,000	18,000	38,000	52,000	80,000
SAFE WORKING LOAD IS APPROXIMATELY BASED ON A 2:1 SAFETY FACTOR					

