

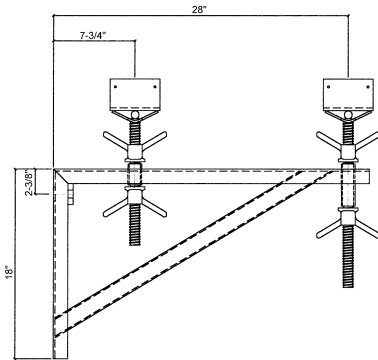


BRIDGE OVERHANG BRACKETS

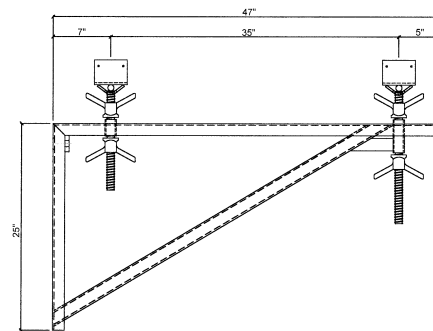
TECHNICAL DATA SHEET

DESCRIPTION:

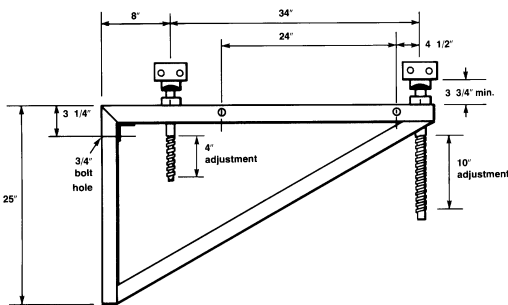
- The Spectrum Bridge Overhang Brackets have a rated capacity of 4,000lbs. Total Load with an anchor safety factor (FOS) = 2.5:1
- The Total Load, spread between both inner and outer jacks, must not exceed 4,000lbs.
- To achieve the bracket maximum load, the concrete anchor, and the anchor bolt, must be capable of supporting a combined load (SWL), as follows:
 - Approx. SWL Shear = 4,000lbs.**
 - Approx. SWL Pull-out = 4,000lbs.**
- The Spectrum Overhang Bracket's load rating is based upon load testing in accordance with the requirements of the "Caltrans Falsework Manual / Load Testing of Manufactured Products". The Spectrum superior overhang bracket meets the requirements of the "American National Standards Institute" (ANSI), Specification A 10.9, Sections 6.5.1, 6.6.1 & 7.2.1. The Spectrum superior overhang bracket also meets ACI 347 Specification 2.4.
- The anchor bolt required is a function of the expected design load. It is recommended that the anchor manufacturer be consulted to obtain a proper and safe anchor or a Professional Engineer be consulted.
- The Spectrum Overhang Bracket must be used in accordance with OSHA's California Code of Regulations, Title 8, Chapter 4, Subchapter 4, Section 1717 or Local OSHA requirements as required by law. It is recommended that a Professional Engineer review the falsework design prior to use.



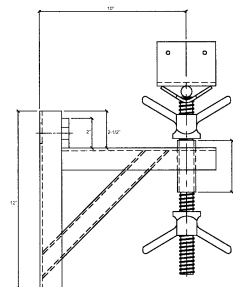
28" OVERHANG BRACKET



42" OVERHANG BRACKET



SWIVEL OVERHANG BRACKET



10" DECK SUPPORT BRACKET

