

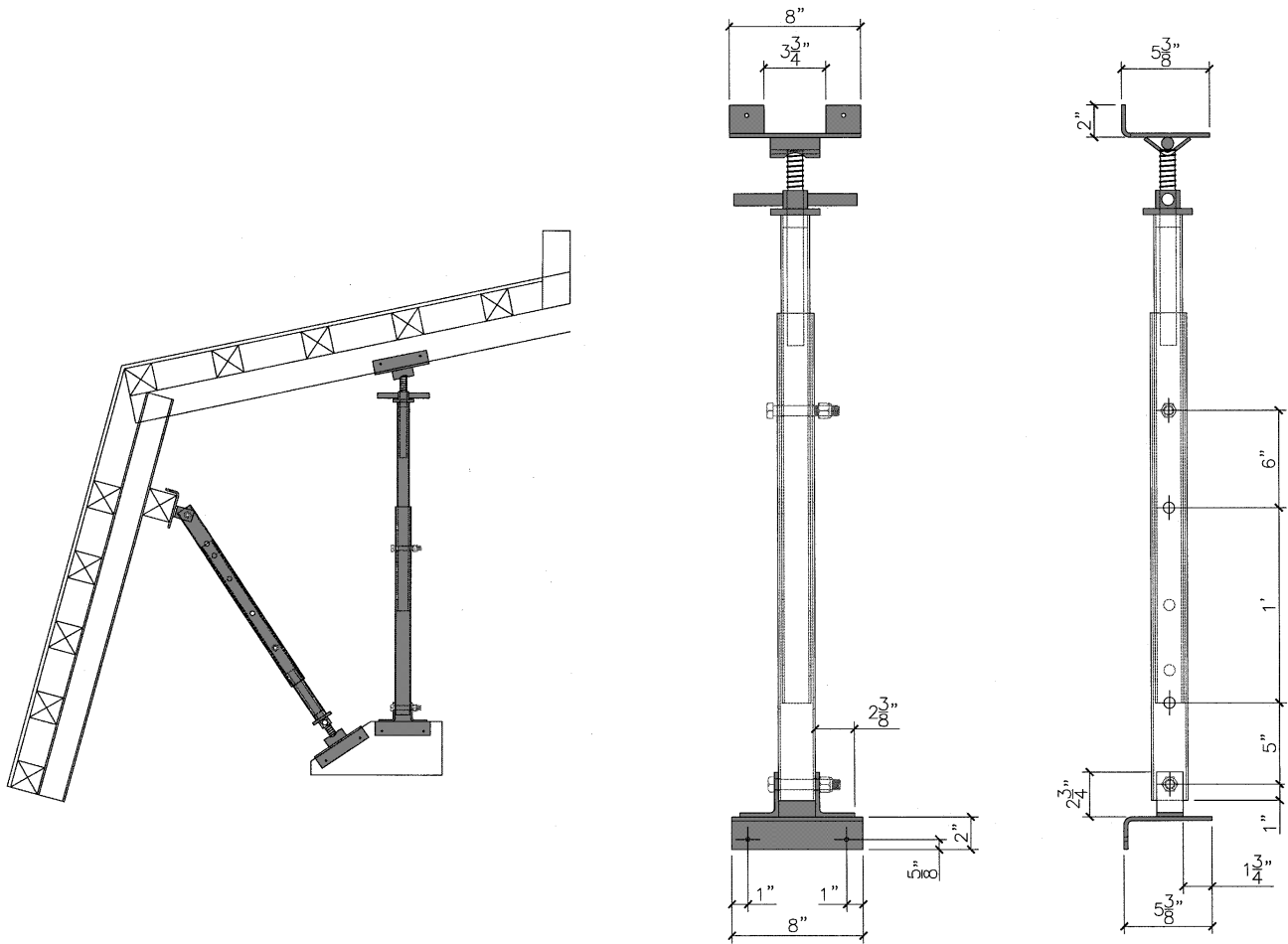


ADJUSTABLE OVERHANG SUPPORTS

TECHNICAL DATA SHEET

DESCRIPTION:

Adjustable Overhang Supports increase forming speed and reduce lumber costs. They quickly adjust to any forming requirements and are great for flared parapets on bridges. Due to their material, these Overhang Supports have high reuse value.



APPROX. SAFE WORKING LOAD		
LENGTH (FT.)	2:1 SAFETY FACTOR	2.5:1 SAFETY FACTOR
4'-7'	8,840 LBS.	7,070 LBS.
5'-9'	7,650 LBS.	6,120 LBS.
9'-12'	4,720 LBS.	3,780 LBS.

