

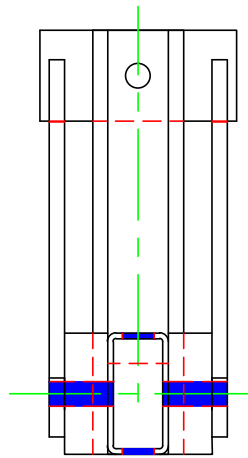
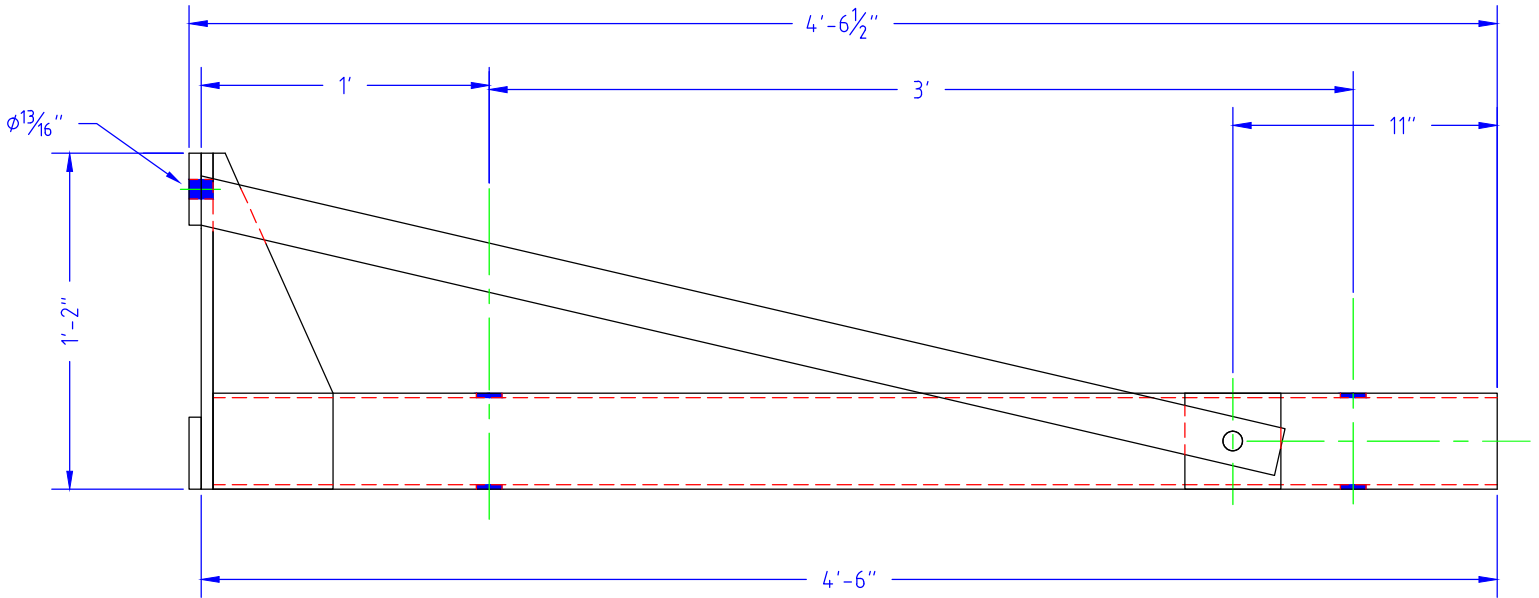


60" BRIDGE OVERHANG BRACKET WITH TENSION BARS

TECHNICAL DATA SHEET

DESCRIPTION:

Used with structures with low overhead clearance.



SAFE WORKING LOAD
3,000 LBS.
APPROX. BASED ON A 2:1 SAFETY FACTOR

