



SCREED HOOKS

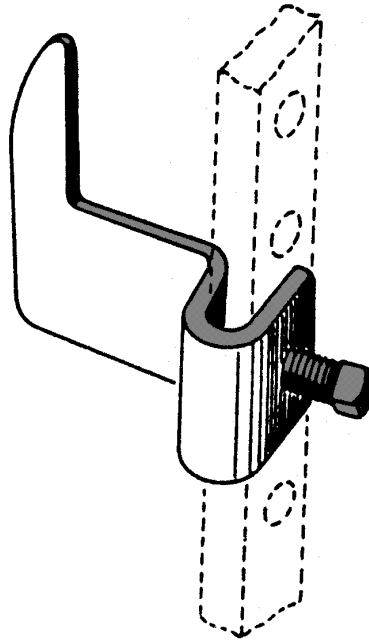
FLAT SCREED HOOK — TECHNICAL DATA SHEET

DESCRIPTION:

Made from steel, Flat Screed Hooks are equipped with a slit to attach to flat stakes during the flatwork process. Flat Screed Hooks are used with 3/8" x 1-1/2" flat stakes.

APPLICATION:

Flat Screed Hooks are used to keep screed bar or lumber parallel during the flatwork process.



| PRODUCT CODE | TYPE | WEIGHT | PACKAGED |
|--------------|------------|------------|-----------|
| FLTSCH | FLAT STAKE | 0.5 / EACH | 100 / BOX |

