



BOLT STANDS

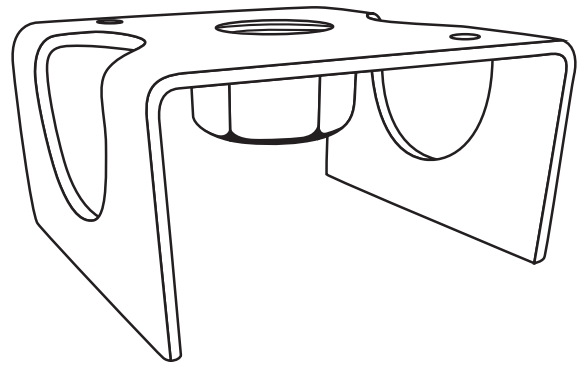
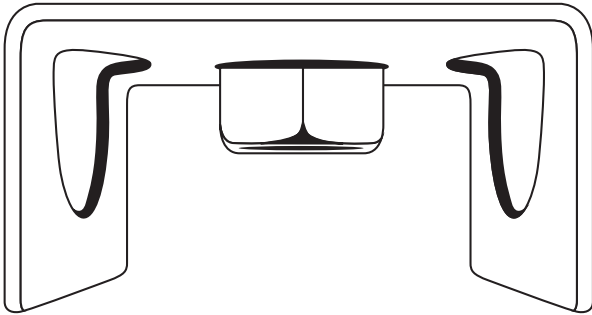
TECHNICAL DATA SHEET

DESCRIPTION:

Bolt Stands are composed of a heavy hex nut welded to a formed steel body. Available in N.C. or Coil thread. Bolt Stands are galvanized.

APPLICATION:

Used to hold anchor bolts securely in place, allowing concrete to flow freely. Installation can be with either nails or screws.



PRODUCT CODE	SIZE	WEIGHT
BS12WN	1/2"	0.323 / EACH
BS58WN	5/8"	0.36 / EACH
BS34WN	3/4"	0.433 / EACH
BS78WN	7/8"	0.553 / EACH
BS10WN	1"	0.693 / EACH
BS118WN	1-1/8"	0.803 / EACH
BS114WN	1-1/4"	1.101 / EACH

