



STAKE PULLER

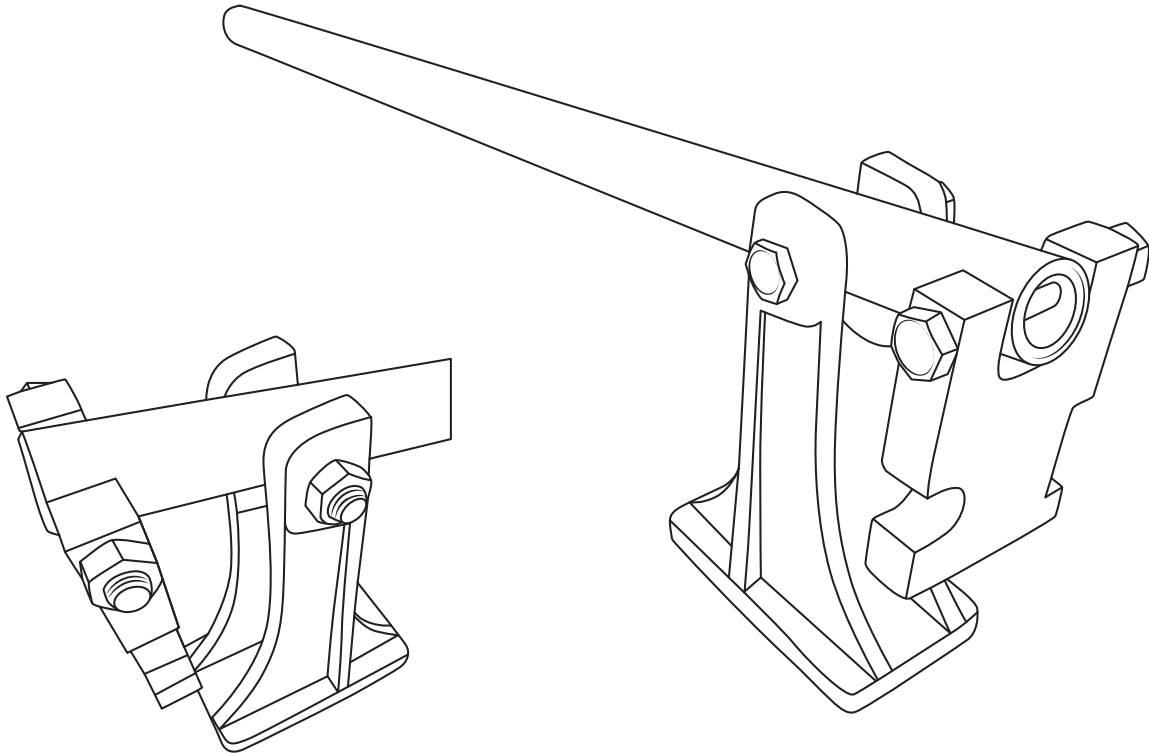
TECHNICAL DATA SHEET

DESCRIPTION:

Stake Pullers are made from steel.

APPLICATION:

Stake Pullers are used to easily remove round steel nail stakes or wood stakes. Using a Stake Puller reduces damage to stakes and pins.



PRODUCT CODE	WEIGHT	PACKAGED
STKPLR	11.50/ EACH	EACH

