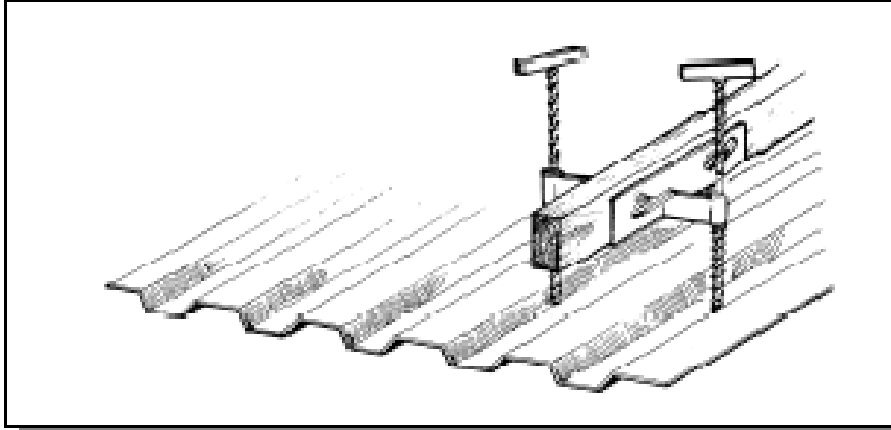




# SPEED & PIPE SCREED

## TECHNICAL DATA SHEET

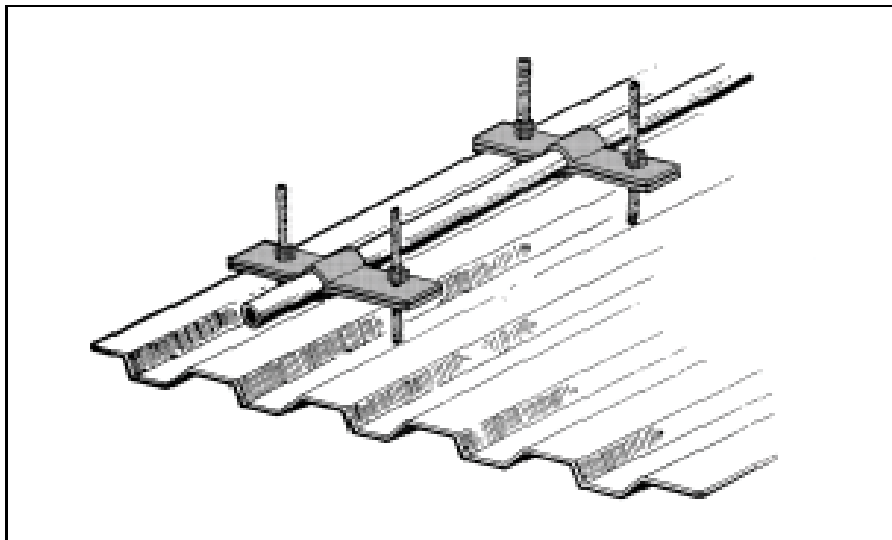
### SPEED SCREED



PRODUCT CODE	WEIGHT	PACKAGED
SPDSCR	12 LBS. / EACH	EACH

### PIPE SCREED

- 2" PIPE



PRODUCT CODE	WEIGHT	PACKAGED
PIPESCR	8.0 LBS. / EACH	EACH

