



SCAFFOLD BRACKET

TECHNICAL DATA SHEET

DESCRIPTION:

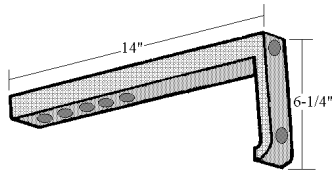
The Spectrum Scaffold Brackets with Waler Hook provides the framework for 2"x10" or 2"x12" planks, to make a convenient working platform. The built-in guard rail receptacle makes it easy to install a safe and economical safety rail.

APPLICATION:

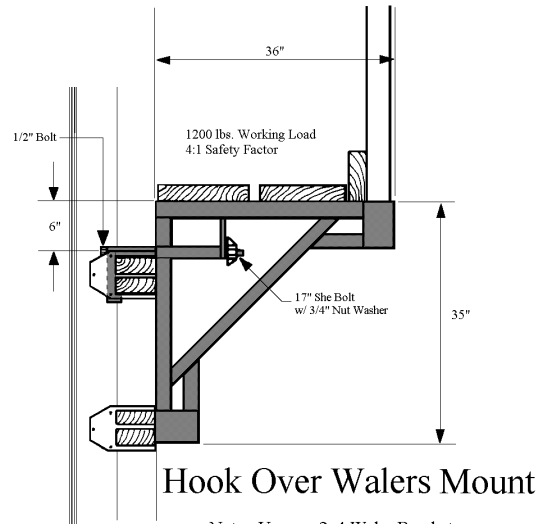
Space at 8'-0" max. centers. It can be installed over horizontal walers, as well as a flush mount application with Spectrum She-Bolts.

PRODUCT CODE: SCABKT

WEIGHT: 29.0 LBS EACH

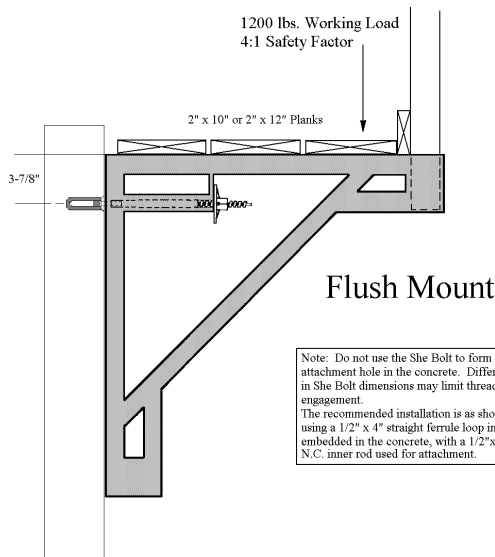


Waler Hook



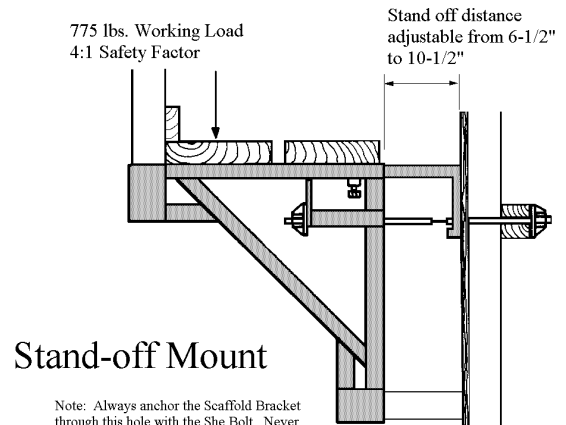
Hook Over Walers Mount

Note: Use one 2x4 Waler Bracket on each side of the Scaffold Bracket on which the hook is connected.



Flush Mount

Note: Do not use the She Bolt to form the attachment hole in the concrete. Differences in She Bolt dimensions may limit thread engagement.
The recommended installation is as shown, using a 1/2" x 4" straight ferrule loop insert, embedded in the concrete, with a 1/2"x3" N.C. inner rod used for attachment.



Stand-off Mount

Note: Always anchor the Scaffold Bracket through this hole with the She Bolt. Never use the hook without the She Bolt.

