



CONEFAST COIL CONE

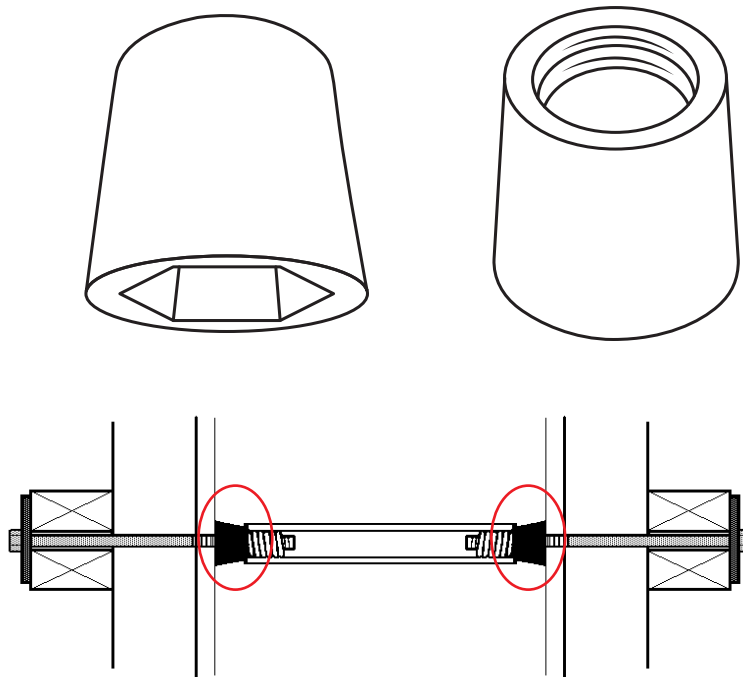
PLASTIC CONE — TECHNICAL DATA SHEET

DESCRIPTION:

Plastic Cone Fast Coil Cones are removable cones that are threaded onto the coil tie to complete the tie and prevent concrete leakage. They also act as a spacer of the concrete's wall thickness.

APPLICATION:

Cone Fast Coil Cones are placed on the coil bolts after they have been inserted but before threading the bolt into the coil tie. The wider diameter of the cone acts as a spacer to prevent crushing the plywood.



PRODUCT CODE	SIZE	WEIGHT	PACKAGED
CNFST12	1/2" X 1" SETBACK	4.50 / C	EACH
CNFST34	3/4" X 1" SETBACK	6.5 / C	EACH
CNFST1	1" X 2" SETBACK	17.0 / C	EACH
CNFST14	1-1/4" X 2" SETBACK	18.0 / C	EACH

