

DATA SHEET

Snap Brackets Snap Jacks

DESCRIPTION: Snap Bracket single waler snaptie brackets.

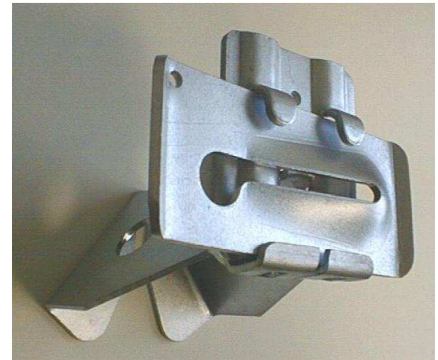
APPLICATION: Snap Brackets are used for all types of poured in place forms, using snapties and single waler forming. Made from durable, plated steel, Snap Brackets can be reused over and over.

PRODUCT CODE: SNPBKT

WEIGHT: 1.4 LBS. EACH

PACKAGED: 50 PER BOX, 1500 PER PALLET

**2,250 lbs. Safe Working Load
2:1 Safety Factor**

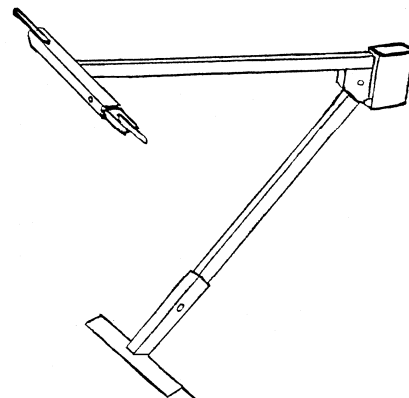


DESCRIPTION: Snap Jack single waler scaffold brackets.

APPLICATION: Snap Jacks provide the framework for 2 x 10 planks, to make a convenient working platform. The built-in guard rail receptacle makes it easy to install a safe and economical safety rail, spaced at 8 ft. max. centers.

PRODUCT CODE: SNPJCK

WEIGHT: 17.0 LBS. EACH



SPECTRUM CONCRETE PRODUCTS

Chino, CA

Phone: 909.590.0066

Fax: 909.590.0061

