

DATA SHEET

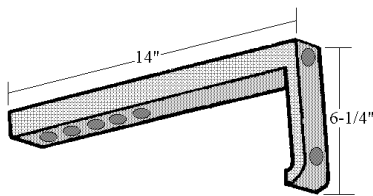
Scaffold Bracket w/Waler Hook

DESCRIPTION: The Spectrum Scaffold Bracket w/ Waler Hook provides the framework for 2"x10" or 2"x12" planks, to make a convenient working platform. The built-in guard rail receptacle makes it easy to install a safe and economical safety rail.

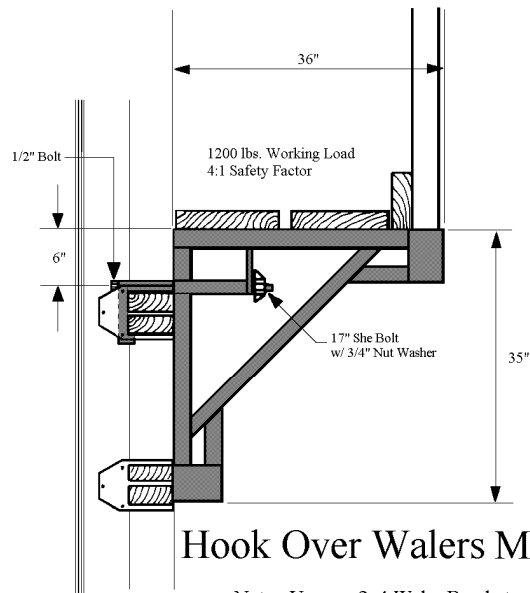
APPLICATION: Space at 8'-0" max. centers. It can be installed over horizontal walers as well as a flush mount application with Spectrum She Bolts.

PRODUCT CODE: SCABKT

WEIGHT: 29.0 LBS. EACH

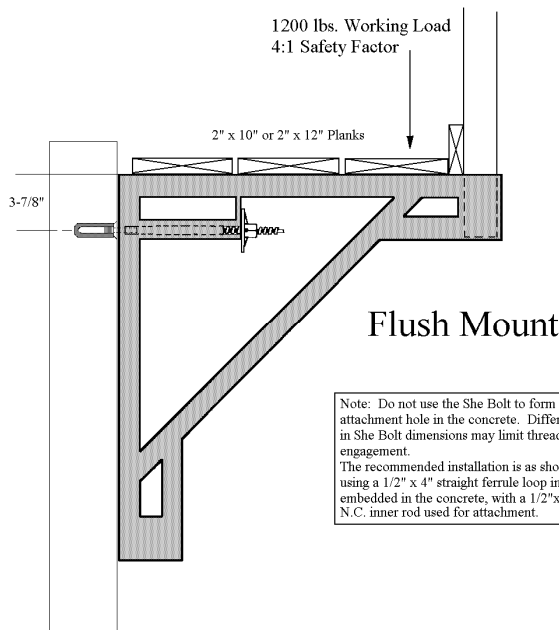


Waler Hook



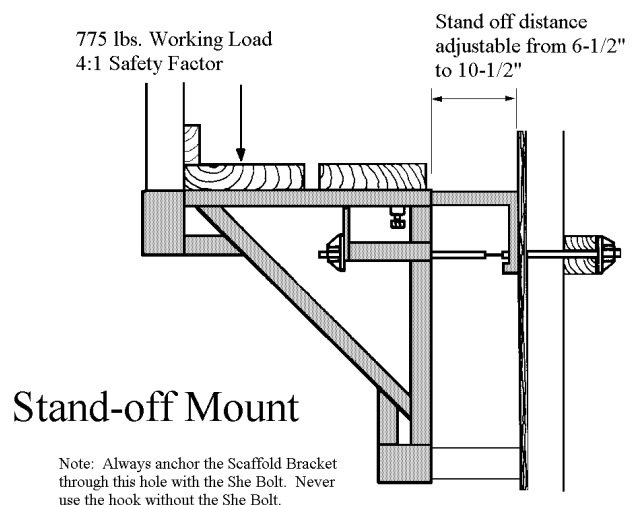
Hook Over Walers Mount

Note: Use one 2x4 Waler Bracket on each side of the Scaffold Bracket on which the hook is connected.



Flush Mount

Note: Do not use the She Bolt to form the attachment hole in the concrete. Differences in She Bolt dimensions may limit thread engagement.
The recommended installation is as shown, using a 1/2" x 4" straight ferrule loop insert, embedded in the concrete, with a 1/2"x3" N.C. inner rod used for attachment.



Stand-off Mount

Note: Always anchor the Scaffold Bracket through this hole with the She Bolt. Never use the hook without the She Bolt.

SPECTRUM CONCRETE PRODUCTS

Chino, CA

Phone: 909.590.0066

Fax: 909.590.0061

