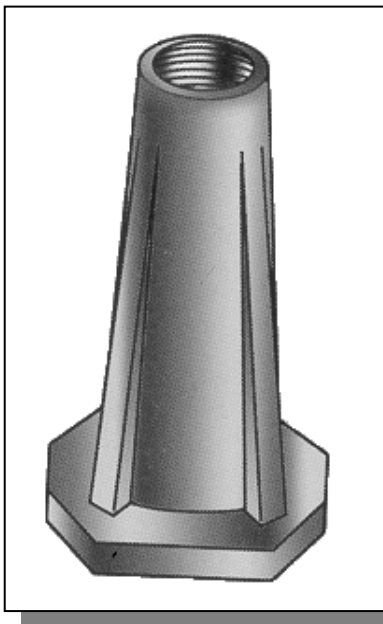


Description: Precast Inserts, also known as Star Inserts, are made of a die cast zinc alloy. They come in 1/2", 5/8", 3/4" national course thread. These rust resistant precast inserts are designed for preplanned placement of threaded fasteners in pour-in-place, precast, or prestressed concrete.

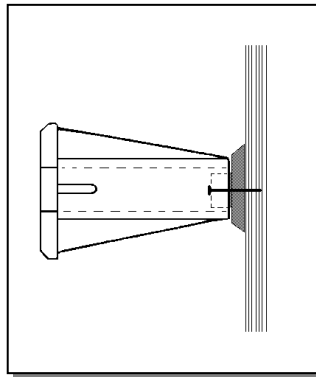
Application: Precast Inserts are installed on wood forms with a threaded plastic plug, and on steel forms with machine bolts, as illustrated. After forms are stripped, plugs are removed, and the inserts now provide national course internal threads for future fastening applications. Cal-Trans required 1" setback plugs, are also available.

Specifications:

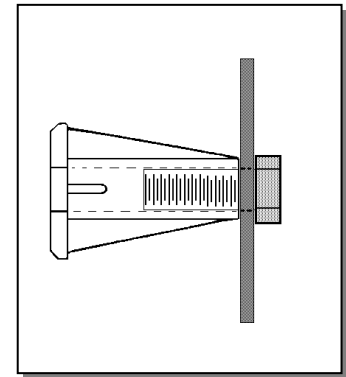


BOLT SIZE	LENGTH	THREAD DEPTH	3500 psi SWL	5000 psi SWL
1/2"	2-7/8"	2-1/2"	2700 lbs.	n/a
5/8"	2-7/8"	2-1/2"	3340 lbs.	n/a
3/4"	3"	2-1/2"	n/a	4090 lbs.

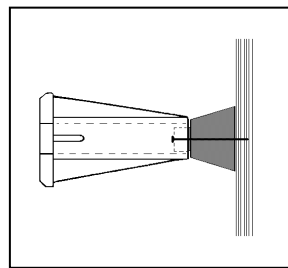
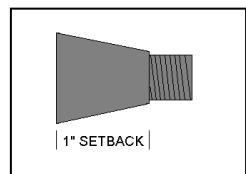
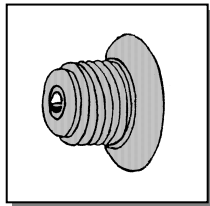
SWL= 4:1 SAFETY FACTOR



Plywood Application



Steel form Application



1" Set-back Application

SPECTRUM CONCRETE PRODUCTS

Chino, CA

Phone: 909.590.0066

Fax: 909.590.0061

