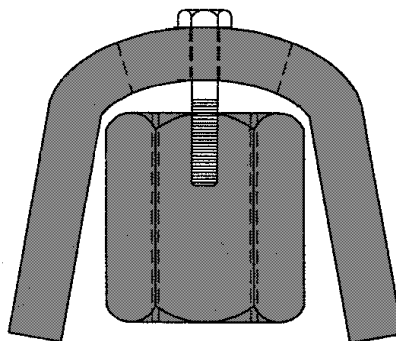
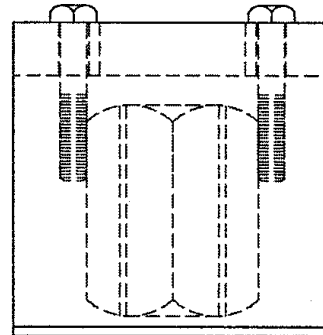
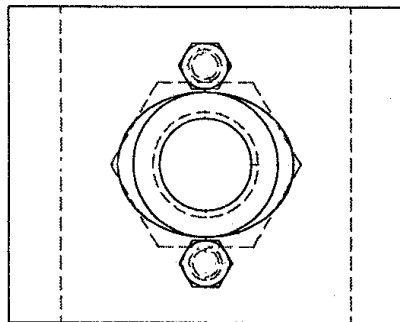


DESCRIPTION: Mike Brackets are a welded assembly to be welded on the job to existing steel in forms.

APPLICATION: Mike Brackets tension loads are based on full fillet welds of individual bracket thickness to cleaned ASTM A36 structural (carbon steel) surface when welded in accordance with A.W.S. standard welding procedures. This product is not intended in permanent structure design. Spectrum Concrete Products, LLC assumes no responsibility, nor liability for the welded connection of this product.

2:1 Safe Working Load:	5/8"	12,000 lbs.
	3/4"	18,000 lbs.
	1"	37,500 lbs.
	1-1/4"	44,000 lbs.

**SPECTRUM CONCRETE PRODUCTS**

Chino, CA

Phone: 909.590.0066

Fax: 909.590.0061

