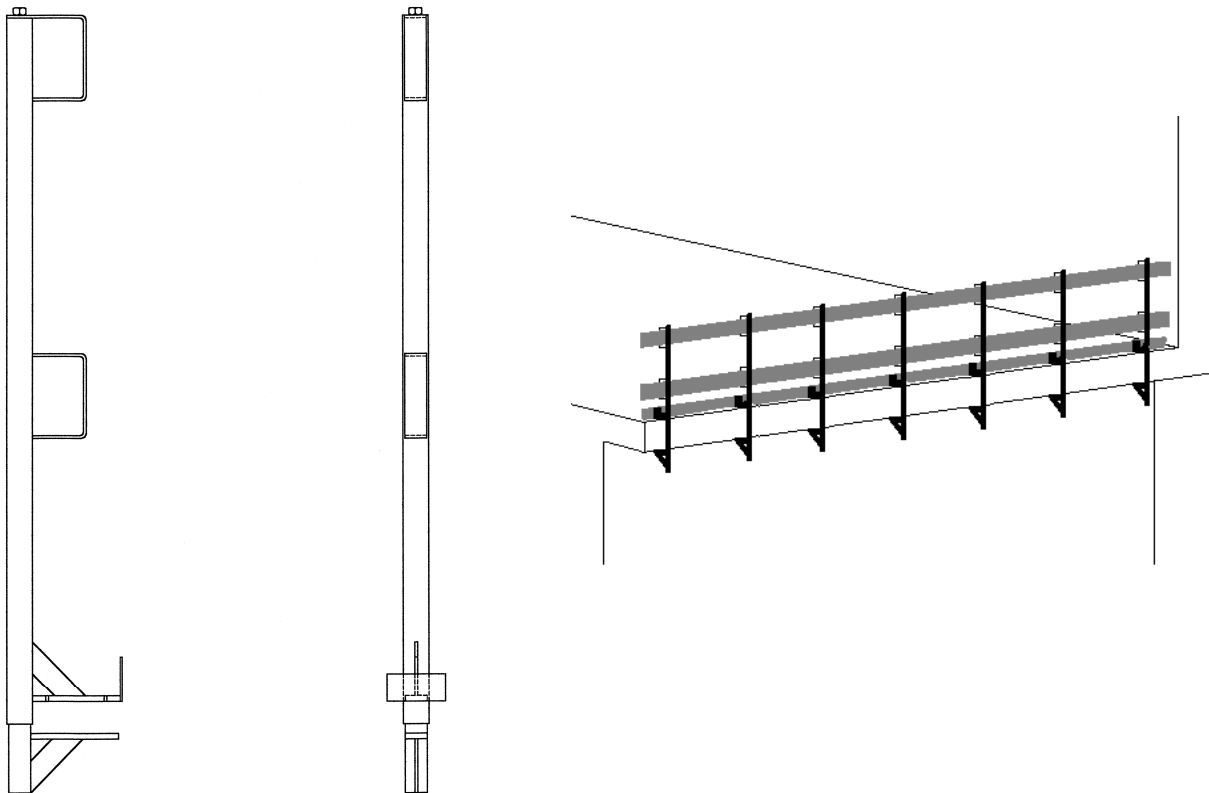


DESCRIPTION: Guard Rail Posts, Slab Grabbers, Adjustable Guard Rails

APPLICATION: The Spectrum Guard Rail Post is a versatile and durable clamp-on post, for use on open sided floors, decks, and platforms of thickness' from 3" to 36". The many features include a square telescoping tube, providing a uniform top rail height of 42", closed loops for 2x4 or 2x6 wood rails and fast threading $\frac{3}{4}$ " coil rod for easy adjustment and added strength. **MEETS OSHA REQUIREMENTS.**

PRODUCT CODE: GRDPST

WEIGHT: 23.0 LBS EACH



SPECTRUM CONCRETE PRODUCTS

Chino, CA

Phone: 909.590.0066

Fax: 909.590.0061

