

**DESCRIPTION:** The Form Aligner Brace is a turnbuckle brace used to align concrete wall and column forms. Made with 1" coil thread parts, this aligner is easy to adjust and low maintenance. It adjusts from approximately 36" to 40".

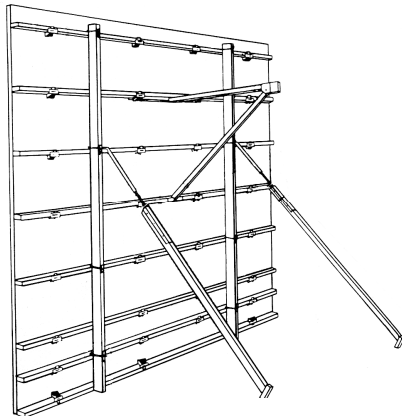
**APPLICATION:** Form Aligner Braces attach to one side of the form by nails at the top, or 3/4" or 7/8" stakes at the bottom, using standard jobsite lumber. Typical spacing is 6 ft. on center.

**PRODUCT CODE:** FAB100, FAB200

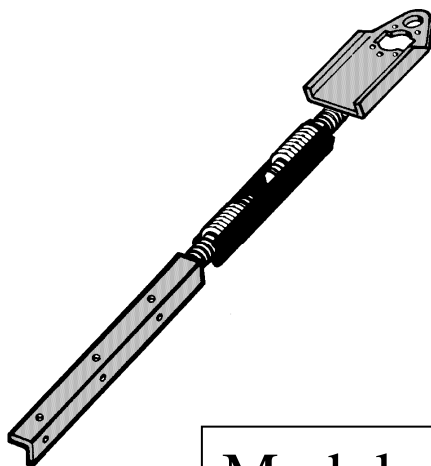
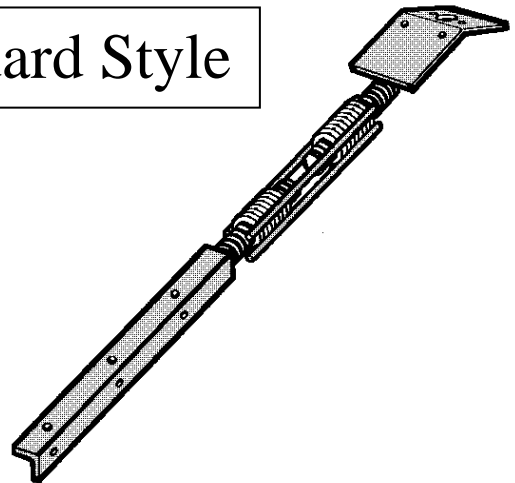
**WEIGHT:** 8.0 LBS. EACH

**PACKAGED:** EACH, 300 PER PALLET

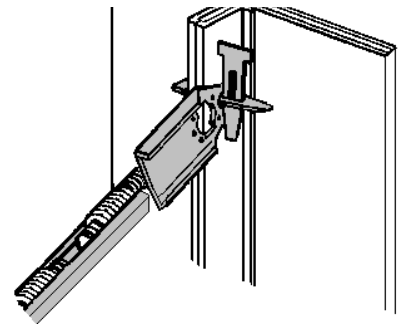
**Safe Working Load:  
Limited by lumber and  
attachment procedures.**



Standard Style



Modular Form Style



## SPECTRUM CONCRETE PRODUCTS

Chino, CA

Phone: 909.590.0066

Fax: 909.590.0061

