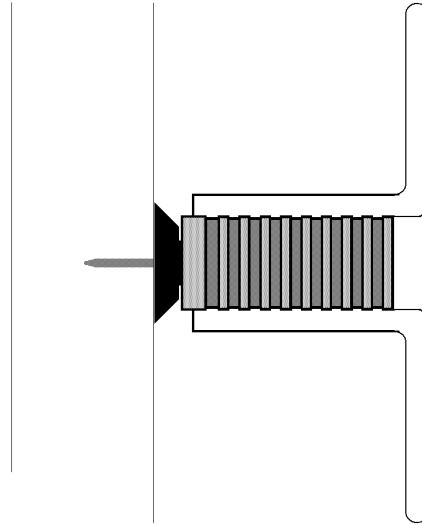
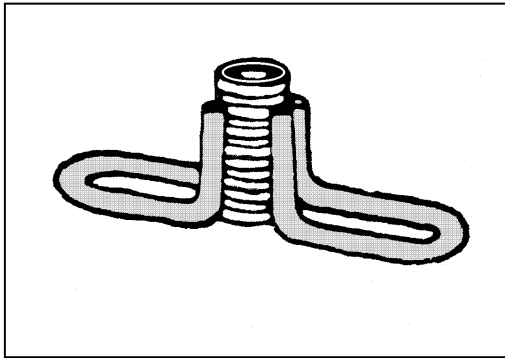


DESCRIPTION: Flared Ferrule Insert

APPLICATION: The Flared Ferrule Insert is a cast in place insert, which provides internal, national coarse threads in the concrete. Used with a plastic threaded setting plug, they can be attached to the inside of the form for easy embedment.



SIZE	SAFE WORK LOAD	WIRE DIA.	LENGTH	MINIMUM EDGE DISTANCE
1/2" X 1-3/4"	1,200 LBS.	.223	4-1/2"	5"
5/8" X 2-3/8"	2,500 LBS.	.306	4-3/4"	5"
3/4" X 2-3/8"	2,650 LBS.	.306	4-7/8"	5"
3/4" X 3-1/2"	4,500 LBS.	.306	4-7/8"	7"
1" X 3-1/2"	2,650 LBS.	.306	5-1/8"	5"
1" X 4-1/2"	6,300 LBS.	.306	5-1/8"	8"

SAFE WORKING LOAD = 3 to 1, AND IS BASED ON 1/2" SET-BACK FROM CONCRETE SURFACE.

MINIMUM CONCRETE COMPRESSIVE STRENGTH = 3000 PSI

THIS INSERT TYPE SHOULD NOT BE USED FOR LIFTING