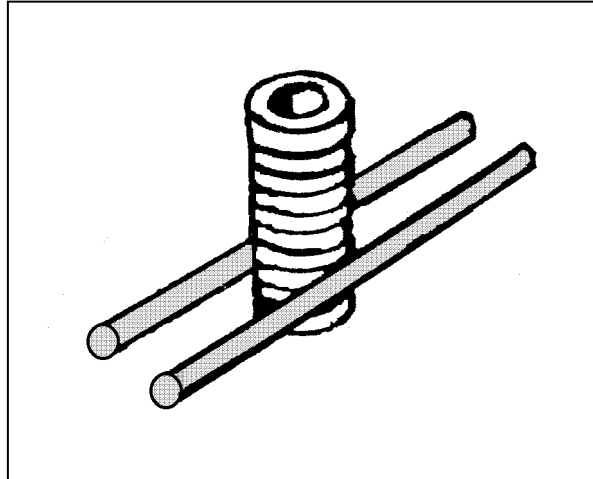


**DESCRIPTION:** Ferrule Thin Slab Insert

**APPLICATION:** The Flared Ferrule Insert is a cast in place insert, which provides internal, national coarse threads in the concrete. Used with a plastic threaded setting plug, they can be attached to the inside of the form for easy embedment.



SIZE	SAFE WORK LOAD	MAX. BOLT ENGAGEMENT	WIRE LENGTH	WIRE DIA.	HEIGHT
3/8"	450 LBS.	3/4"	4"	.262"	1-1/4"
1/2"	900 LBS.	1"	4"	.262"	1-3/8"
5/8"	1,000 LBS.	1-1/8"	4"	.262"	1-5/8"
3/4"	1,600 LBS.	1-1/8"	4"	.262"	1-5/8"
7/8"	1,600 LBS.	1-1/8"	4"	.262"	1-5/8"
1"	1,600 LBS.	1-1/8"	4"	.262"	1-5/8"

SAFE WORKING LOAD = 3 to 1, AND IS BASED ON 1/2" SET-BACK FROM CONCRETE SURFACE.

MINIMUM CONCRETE COMPRESSIVE STRENGTH = 3000 PSI

THIS INSERT TYPE SHOULD NOT BE USED FOR LIFTING