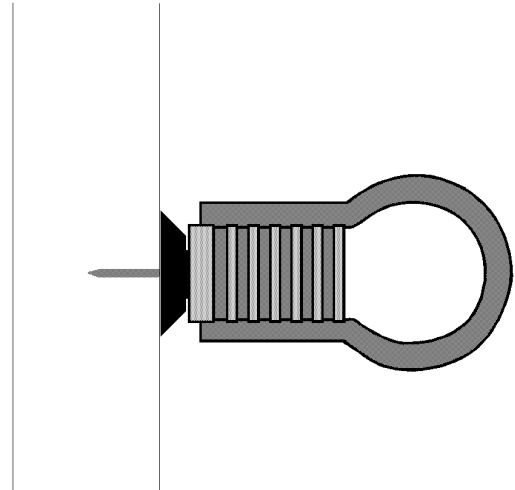
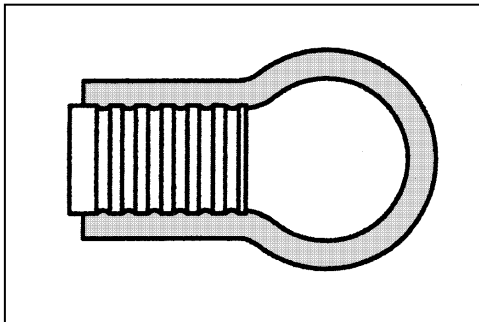


DESCRIPTION: Ferrule Loop Insert

APPLICATION: The Ferrule Loop Insert is a cast in place insert, which provides internal, national coarse threads in the concrete. Used with a plastic threaded setting plug, they can be attached to the inside of the form for easy embedment.



BOLT DIAMETER	SAFE WORK LOAD	WIRE DIA.	LENGTH	MINIMUM EDGE DISTANCE
3/8"	2000 LBS.	.243	2-3/4"	5"
1/2"	2000 LBS.	.243	2-3/4"	5"
5/8"	2300 LBS.	.262	3-1/2"	5"
3/4"	2400 LBS.	.262	3-1/2"	5"
7/8"	5300 LBS.	.375	6"	8"
1"	5300 LBS.	.375	6"	8"

SAFE WORKING LOAD = 3 to 1, AND IS BASED ON 1/2" SET-BACK FROM CONCRETE SURFACE.
MINIMUM CONCRETE COMPRESSIVE STRENGTH = 3000 PSI
THIS INSERT TYPE SHOULD NOT BE USED FOR LIFTING