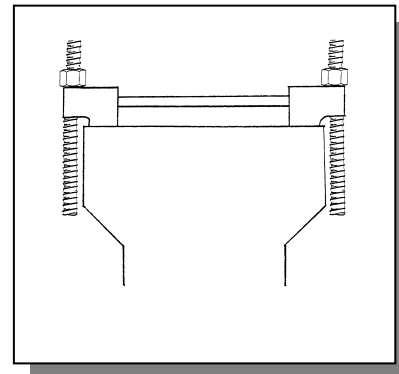
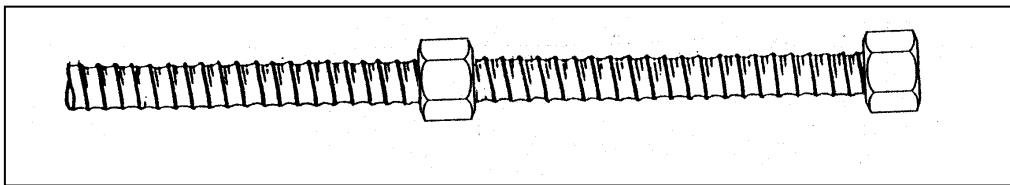


DESCRIPTION: High Tensile Coil Rod is a continuous threaded rod, made from high carbon, cold rolled, 1045 steel. Coil Rod is manufactured in 12 foot lengths and is available in 1/2", 5/8", 3/4", 1", 1-1/4" and 1-1/2" diameters.

APPLICATION: Coil Rod is a versatile, as well as durable, threaded rod. Primarily used in concrete forming applications, Coil Rod is used as inner tie rods for She-Bolts, as form ties with wing nuts and plate washers and can be used in bridge deck forming with hangers. Field cutting can be accomplished by using a carborendum blade.

Note: Always verify compatibility of coil products when using with other brands.



Diameter	1/2"	5/8"	3/4"	1"	1-1/4"	1-1/2"
S.W.L.-Tension (lbs.)	9,000	12,000	18,000	38,000	56,000	68,000
S.W.L.-Shear (lbs.)	6,000	8,000	12,000	25,300	37,500	45,300
Tensile Stress (psi)	135,000	130,000	132,000	120,000	132,000	126,000
Yield Stress (psi)	113,000	111,000	116,000	111,000	131,000	111,000
Min. Coil Penetration	2"	2-1/4"	2-1/4"	2-1/2"	2-1/2"	3"
Pounds per foot:	0.53	0.85	1.15	2.04	3.47	6.01

Safe Working Load is based on approximately a 2 to 1 factor.