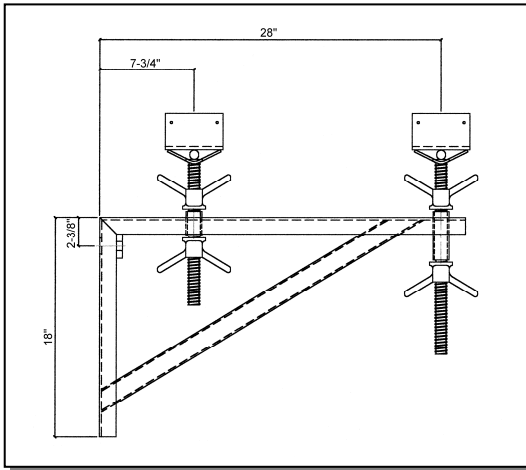
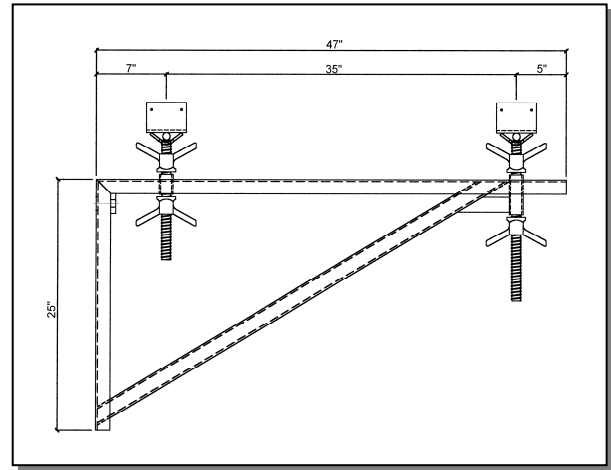


SUPERIOR OVERHANG BRACKETS

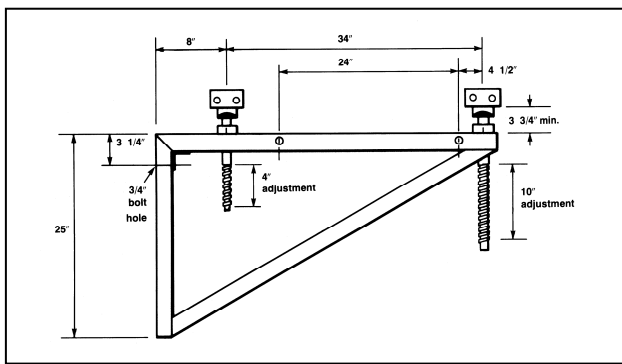


28" OVERHANG BRACKET

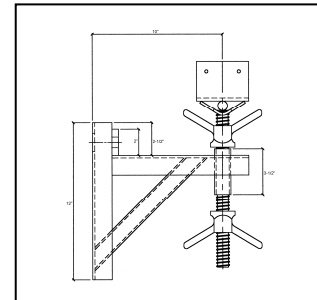


42" OVERHANG BRACKET

4,000 lbs. Safe Working Load 2:1 Safety Factor



SWIVEL OVERHANG BRACKET



10" DECK SUPPORT BKT

Spectrum Bridge Overhang Brackets

- The Spectrum Superior Bridge Overhang Brackets have a rated capacity of 4,000 lbs. Total load with an anchor safety factor (FOS) = 2:1
- The Total load, spread between both inner and outer jacks, must not exceed 4,000 lbs.
- Furthermore, the maximum load to the outer jack must not exceed 1,500 lbs., and the maximum load to the inner jack must not exceed 3,000 lbs.
- To achieve the bracket maximum load, the concrete anchor, and anchor bolt, must be capable of supporting a combined load (SWL), as follows:
SWL Shear = 4,000 lbs.
SWL Pull-out = 3,830 lbs.

The Spectrum Superior Overhang Bracket's load rating is based upon load testing in accordance with the requirements of the "Scaffolding, Shoring, & Framing Institute". The Spectrum Superior Overhang Bracket was tested with the screw jacks extended 6", therefore maximum extension of the screw jacks is limited to no more than 6". The Spectrum Superior Overhang Bracket meets the requirements of the "American National Standards Institute" (ANSI), Specification A 10.9, Sections 6.5.1, 6.6.1 & 7.2.1. The Spectrum Superior Overhang Bracket also meets ACI 347 Specification 2.4.

The anchor bolt required is a function of the expected design load. It is recommended that the anchor manufacturer be consulted to obtain a proper and safe anchor or a Professional Engineer be consulted.

The Spectrum Superior Overhang Bracket must be used in accordance with OSHA's California Code of Regulations, Title 8, Chapter 4, Subchapter 4, Section 1717 or Local OSHA requirements as required by law. It is recommended that a Professional Engineer review the falsework design prior to use.

SPECTRUM CONCRETE PRODUCTS

Chino, CA

Phone: 909.590.0066

Fax: 909.590.0061

